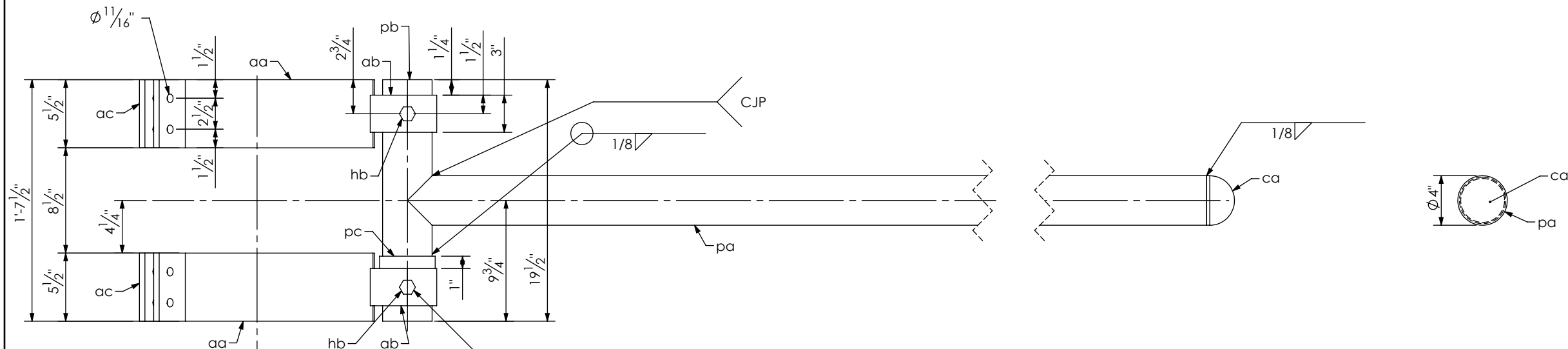
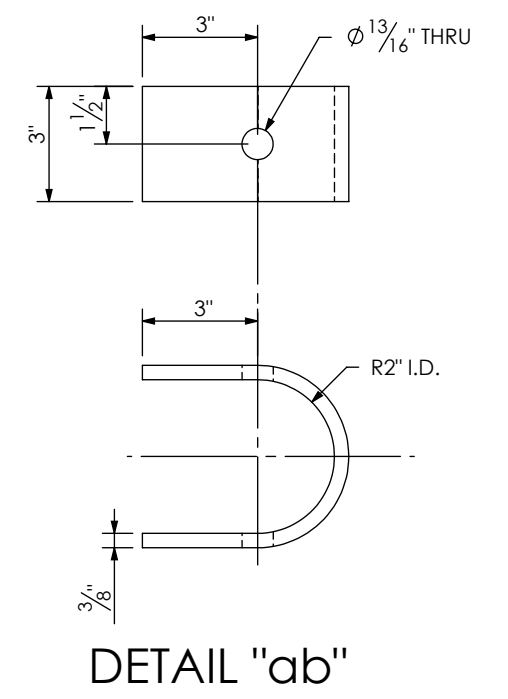
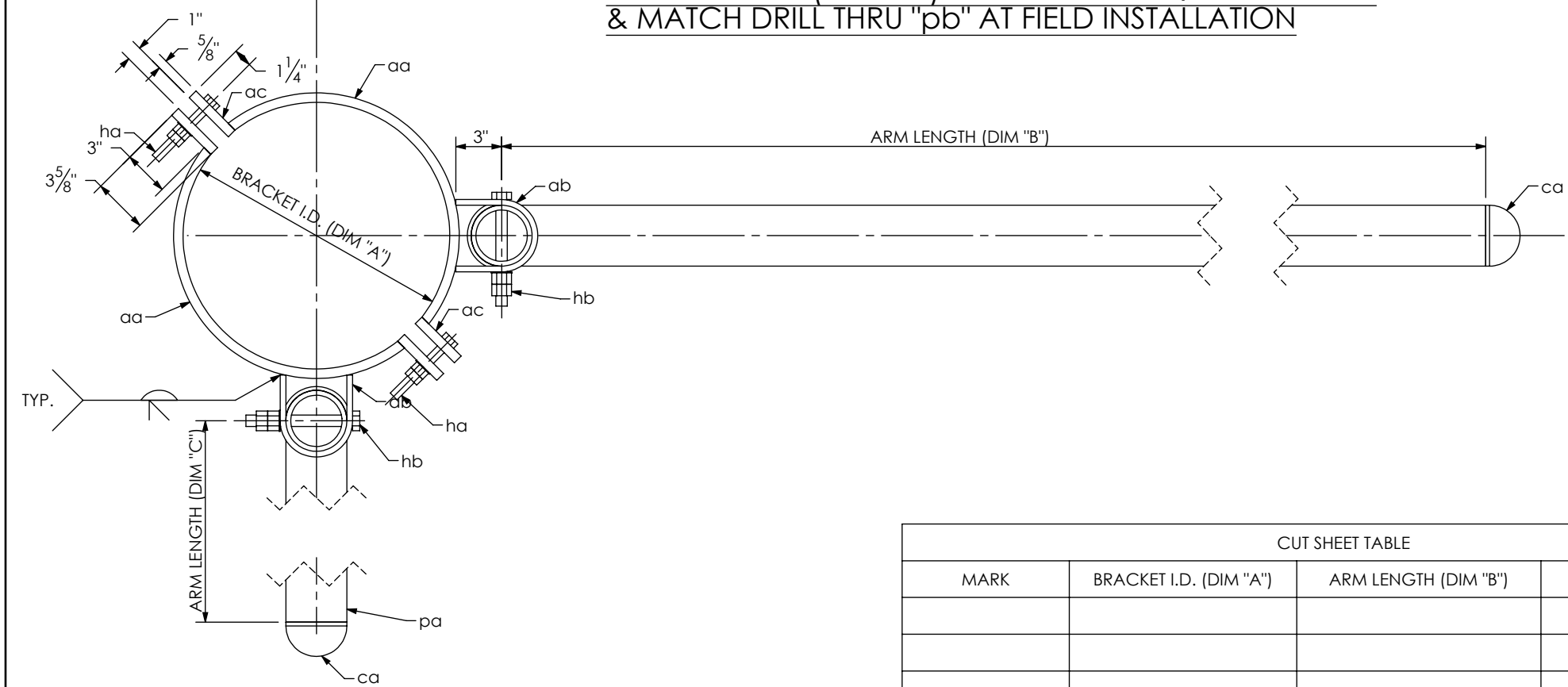


SHOP NOTES:
 -ALL PIPE TO ASTM A500, GRADE "C" OR API-5L-X52
 -ALL SHAPES AND PLATES TO ASTM A572, GRADE 50.
 -ALL BOLTS SHALL BE ASTM A325.
 -ALL WELDS TO BE E70XX.
 -ALL BOLTS, NUTS, WASHERS SHALL BE GALVANIZED PER ASTM B633 (DEPENDING ON SIZE).
 -ALL PIPE, SHAPES AND PLATES SHALL BE GALVANIZED PER ASTM A123.
 -STRUCTURE MUST BE ASSEMBLED AFTER GALVANIZING TO ASSURE PROPER FIT-UP.
 -WIND DESIGN SPEED 130 OR 150 MPH.
 -SIGN ATTACHED WITH BRACKETS TO ALLOW IT TO BE FREE SWINGING.



NOTE: ADJUST (ROTATE) ARM TO THE REQUIRED ANGLE & MATCH DRILL THRU "pb" AT FIELD INSTALLATION



CUT SHEET TABLE			
MARK	BRACKET I.D. (DIM "A")	ARM LENGTH (DIM "B")	ARM LENGTH (DIM "C")

QTY. LISTED IS FOR FAB OF 1 ARM

QTY.	MARK	DESCRIPTION
4	aa	PLATE, 5/8" X 5 1/2" X 1/2" LG.
4	ab	PLATE, 3/8" X 3" X 1'- 5/16" LG.
8	ac	PLATE, 5/8" X 3 5/8" X 5 1/2"
2	pa	PIPE, 4" O.D. X .226 W (SCH. 40) X 1/2" LG.
2	pb	PIPE, 4" O.D. X .318 W (SCH.80) X 1'-7 1/2" LG.
2	pc	PIPE, 4 1/2" O.D. X .237 W X 1" LG.
2	ca	DOME CAP, 4" O.D.
8	ha	BOLT, HEX HD. 5/8" DIA. X 5" LG. W/ FLATWASHER & (2) HEX NUTS
4	hb	BOLT, HEX HD. 3/4" DIA. X 7" LG. W/ FLATWASHER & (2) HEX NUTS

HIGHWAY SYSTEMS INC.
D.O.T. Sign Structure Division
 3373 NW 10th St., Bldg # 100, Ocala, FL 34475-4547

DESCRIPTION:
 STANDARD DRAWING
 STATE OF FLORIDA

FOR:
**STANDARD DOUBLE ARM
 ADJUSTABLE BRACKET
 WIND DESIGN SPEED 150 MPH**

SCALE: NTS
 DATE: 2/20/2013
 JOB NUMBER: HSI-

APPROVED BY: JB
 CHECK BY: BB

DRAWN BY: BB
 DRAWING NUMBER: 1022-R
 CAD FILE:

1st SUBMITAL _____
 2nd SUBMITAL _____
 3rd SUBMITAL _____
 SHOP RELEASE: _____
 SHEET 1 OF 1